

The 100th VIKING unit

100

VIKING

THE 100th VIKING UNIT



 MOBILE
DECKSCREEN

CE PRODUCT



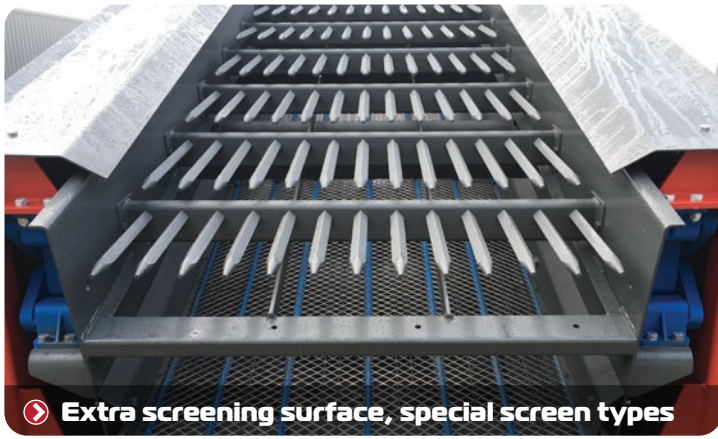
YANMAR

SIEMENS

elektromotor

www.EYDESCREEN.com

FEATURES THAT MAKES THE VIKING THE BEST EQUIPMENT



➤ Extra screening surface, special screen types



➤ Viking store - immediate delivery to clients



➤ Outstanding screening capacity Up to 120 m³/hour



➤ Rosta Swiss vibrating system

THE VIKING MOBILE DECK SCREEN



THE VIKING is designed for an outstanding screening capacity, to make your business more profitable using our ultra durable, efficient equipment.

THE VIKING is a portable wheeled, double deck vibrating screen, screening topsoil, compost, woodchips, gravel, sand or other waste materials.

NORWEGIAN DESIGN

EYDE MASKIN AS developed the VIKING using its 20 years experience in the screening industry.

ONE DECK SCREEN – CAN SCREEN IT ALL



TECHNICAL DATAS



HYDRAULIC

- **Powered by:**
YANMAR diesel, 3 cyl, 36HPS engine
- **Drive system:**
full hydraulic drive, PARKER pump
- **Features:**
adjustable legs
lift hangers
conveyor belt
- **Options:**
tandem pump available
for extra feeder/conveyor
extra hydraulic connection
different type and size of screen mesh



MECHANIC

- **Powered by:**
YANMAR diesel, 3 cyl, 36HPS engine
- **Drive system:**
V-belt drive with centrifugal clutch
- **Features:**
extra low maintenance
adjustable legs
lift hangers
conveyor belt



ELECTRIC

- **Powered by:**
SIEMENS electro motor, 7,5 kW
- **Drive system:**
V-belt drive
- **Features:**
silent, indoor operation
adjustable legs
lift hangers
conveyor belt



ONE DECK SCREEN – CAN SCREEN IT ALL



With COMPOST we are EXPERT in Europe! Contact us!

VIKING



➤ Full hydraulic drive - New 2020 model



➤ Low maintenance, nonstop operation

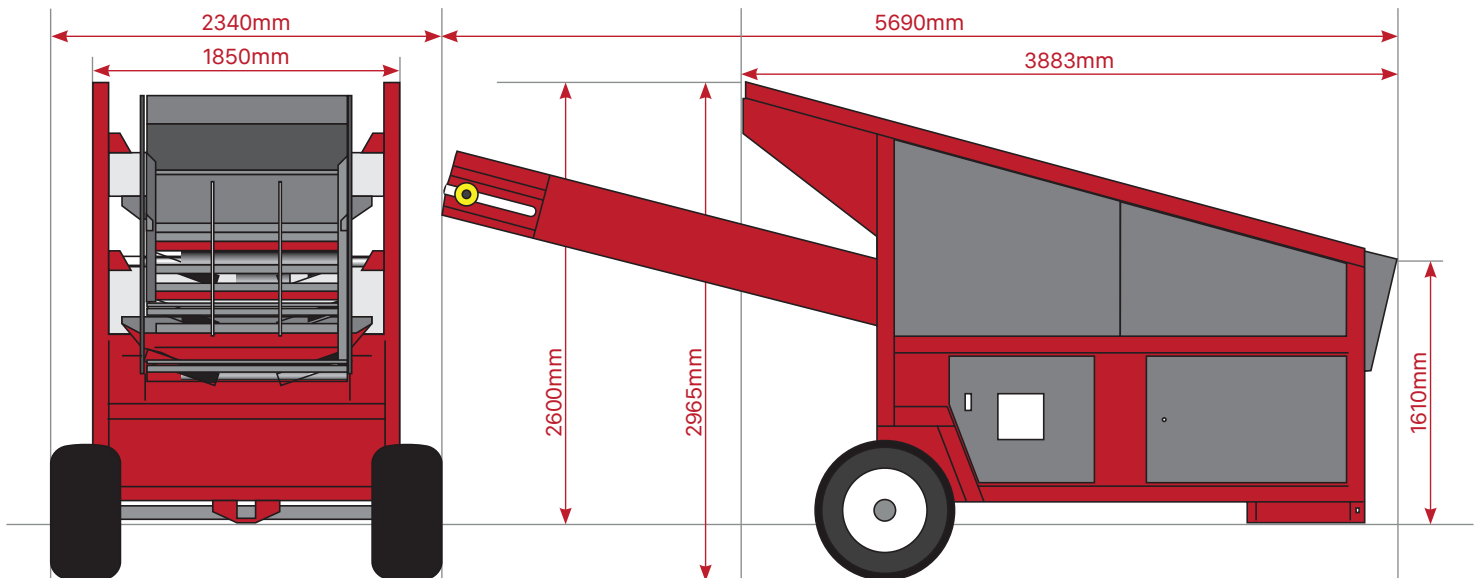


➤ On option: tandem pump for extra stockpiler



➤ Top Quality **YANMAR** diesel or **SIEMENS** electro engine

DRIVE TYPES



Dimensions (w×l×h): 2350 mm x 5700 mm x 2975 mm

Weight: 3490 kg

Drive: diesel engine (YANMAR 3TNV88-DS), or SIEMENS electro engine

Consumption: 4 litres/hour diesel fuel

Engine oil: 2.5 litres (CASTROL 10w40)

Fuel tank size: 70 litres

Capacity: max. 120 m³/h

Screen surface: 3,6 m²





JUBILEE CEREMONY

01. 10. 2020.
EYDE SCREEN FACTORY, HUNGARY



➤ **H. E. Trine Skymoene, Norwegian Ambassador together with CEO, Stig Haakon Eyde**

Significant milestone for EydeScreen:

On the 01.10.2020 we have celebrated together with H.E. Trine Skymoene, Ambassador of the Norwegian Kingdom, our CEO, Stig Haakon Eyde, our GM, Tamas Marothy and our Hungarian factory Director, Lajos Benkő the production of our **100th VIKING** mobile deckscreen unit.



We are proud of what we have achieved so far, we are also very grateful for our team, our dealer partners and suppliers all over Europe.

We are confident in our future goals, launching additional **products and opening sales on new markets in 2021!**



More info about our Jubilee Ceremony:

f: [Facebook.com/eydescreen](https://www.facebook.com/eydescreen)

100 MACHINES

IN 12 EUROPEAN COUNTRIES

WITH OUR PARTNERS



Opening sales on new markets in 2021!



EYDESCREEN AUTHORIZED DEALER

Follow us



LinkedIn



Facebook



Twitter



Youtube



www.EYDESCREEN.COM

OUR PARTNERS:



Bobcat

